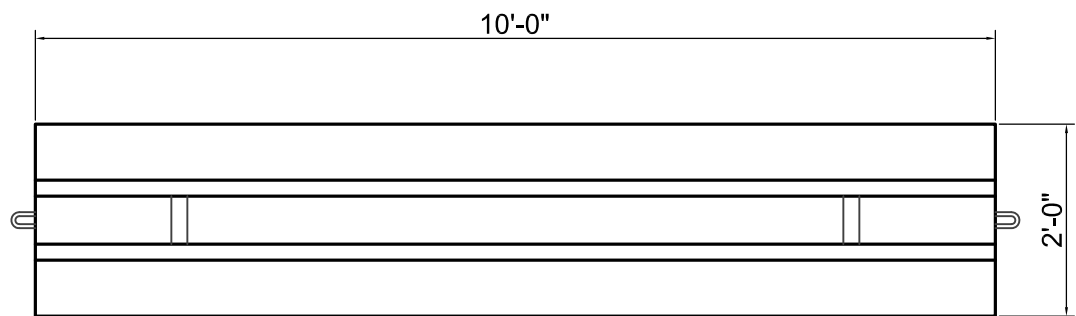
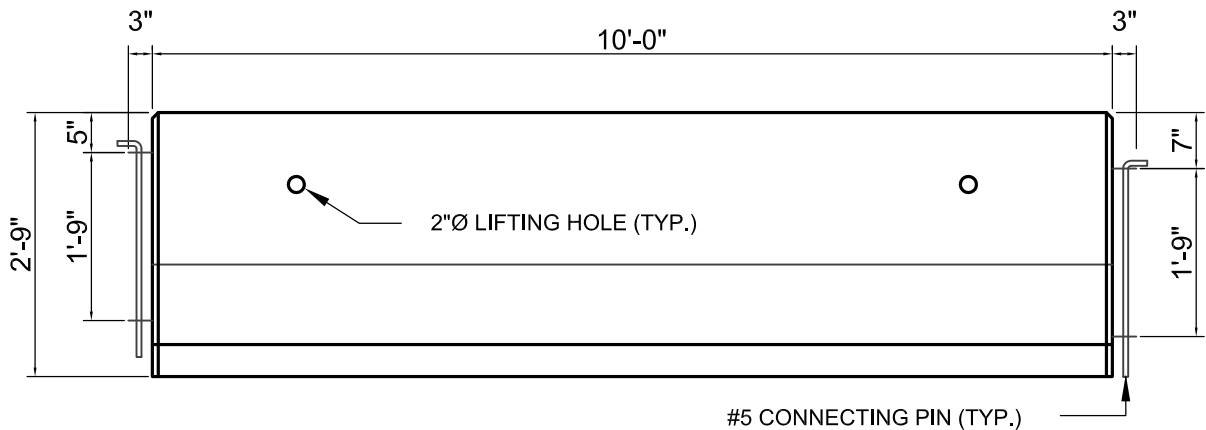


# DURASTONE

## PRECAST MEDIAN BARRIER FOR TEMPORARY TRAFFIC CONTROL



PLAN



ELEVATION

**APPROX. WEIGHT: 4,200 LBS**

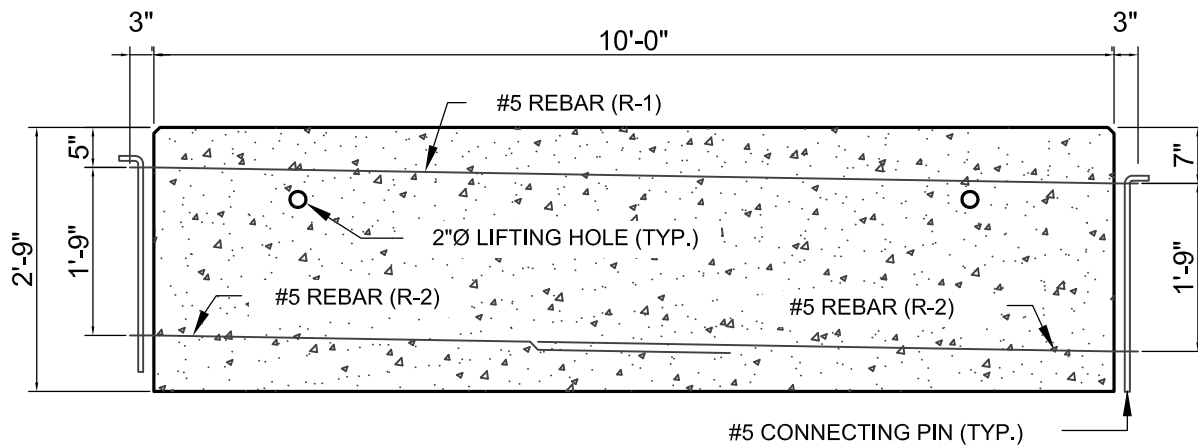
150 HIGGINSON AVENUE - LINCOLN, RI 02865 - Phone (401) 723-7100 - Fax (401) 723-6866

**NPCA**  
CERTIFIED PLANT

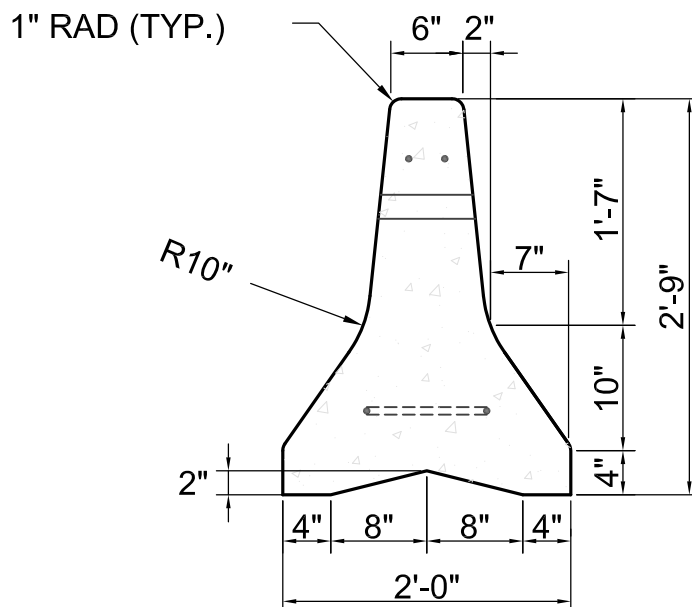
# DURASTONE

150 HIGGINSON AVENUE - LINCOLN, RI 02865 - Phone (401) 723-7100 - Fax (401) 723-6866

## PRECAST MEDIAN BARRIER FOR TEMPORARY TRAFFIC CONTROL



### LONGITUDINAL SECTION



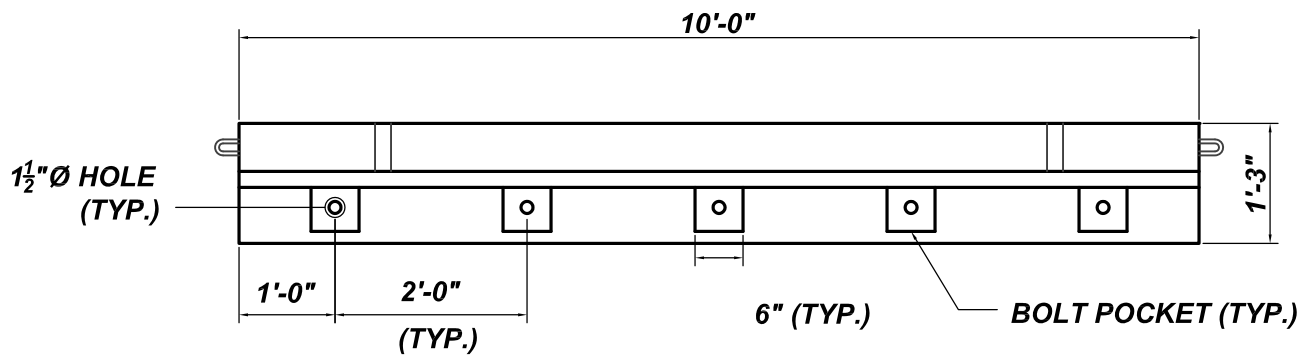
### TRANSVERSE SECTION

### STANDARD SPECIFICATIONS

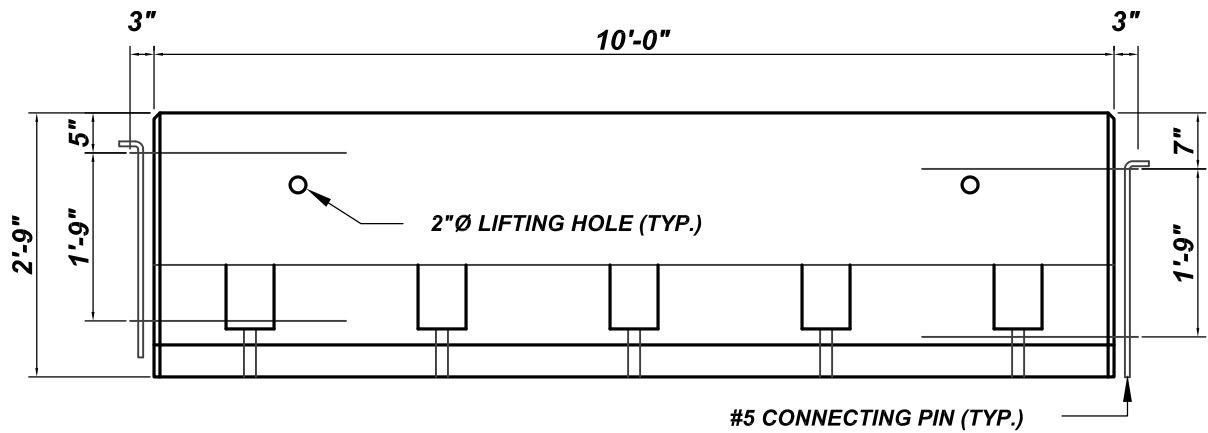
1. 10'-0" STANDARD SEGMENT LENGTH.
2. 4,000 PSI PORTLAND CEMENT CONCRETE MIX.
3. CONFORMS TO RI STANDARD 40.5.0.

# DURASTONE

## PRECAST BARRIER FOR TEMPORARY TRAFFIC CONTROL



PLAN



ELEVATION

APPROX. WEIGHT: 3,300 LBS

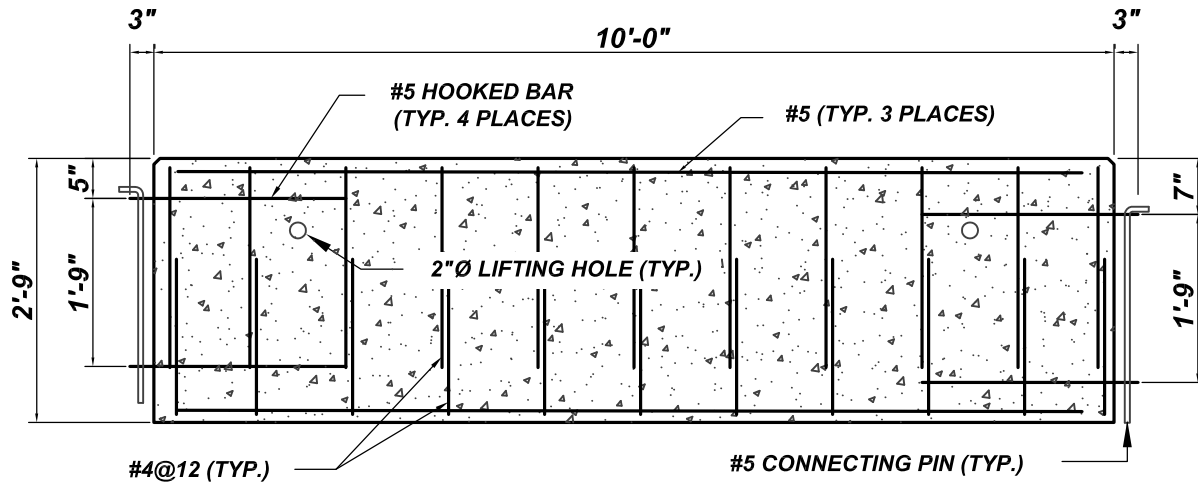
150 HIGGINSON AVENUE - LINCOLN, RI 02865 - Phone (401) 723-7100 - Fax (401) 723-6866

**NPCA**  
CERTIFIED PLANT

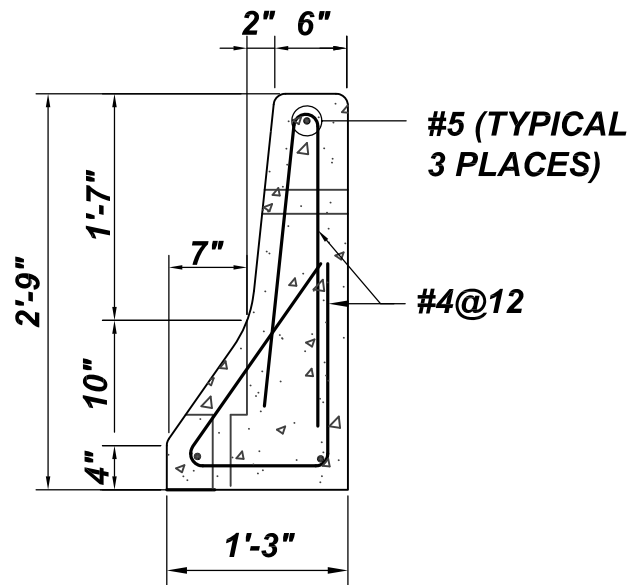
# DURASTONE

150 HIGGINSON AVENUE - LINCOLN, RI 02865 - Phone (401) 723-7100 - Fax (401) 723-6866

## PRECAST BARRIER FOR TEMPORARY TRAFFIC CONTROL



**LONGITUDINAL SECTION**



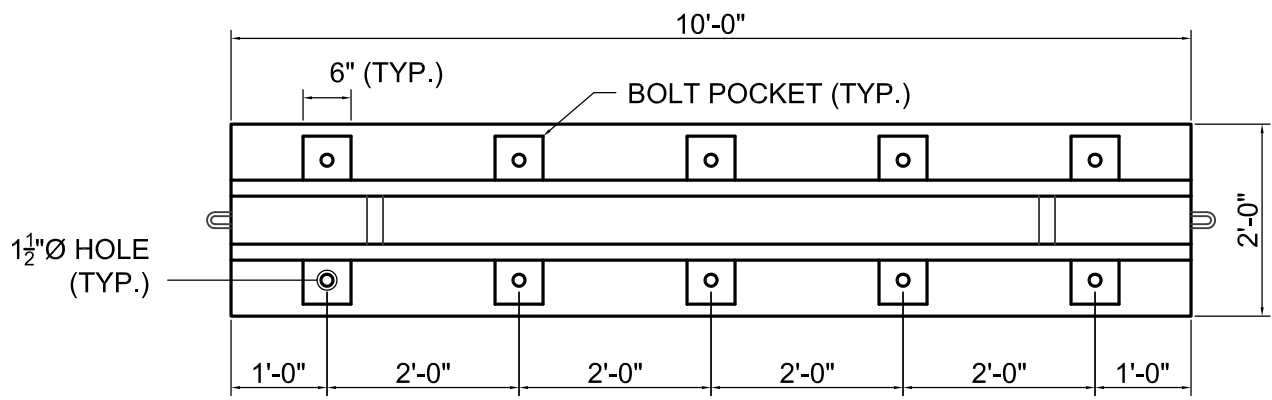
**TRANSVERSE SECTION**

### STANDARD SPECIFICATIONS

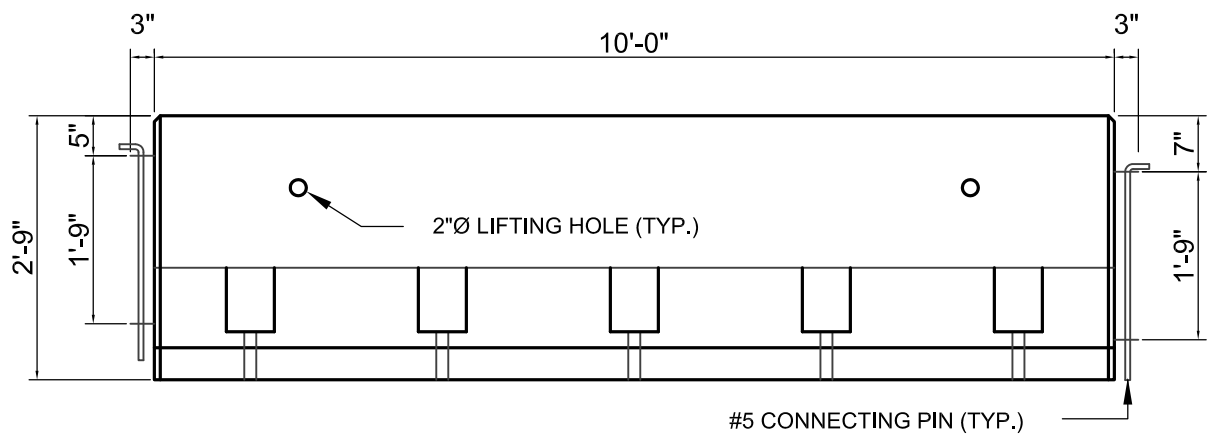
1. 10'-0" STANDARD SEGMENT LENGTH.
2. 4,000 PSI PORTLAND CEMENT CONCRETE MIX.
3. CONFORMS TO RI STANDARD 40.5.0M.

# DURASTONE

## PRECAST MEDIAN BARRIER FOR TEMPORARY TRAFFIC CONTROL



PLAN



ELEVATION

**APPROX. WEIGHT: 4,100 LBS**

150 HIGGINSON AVENUE - LINCOLN, RI 02865 - Phone (401) 723-7100 - Fax (401) 723-6866

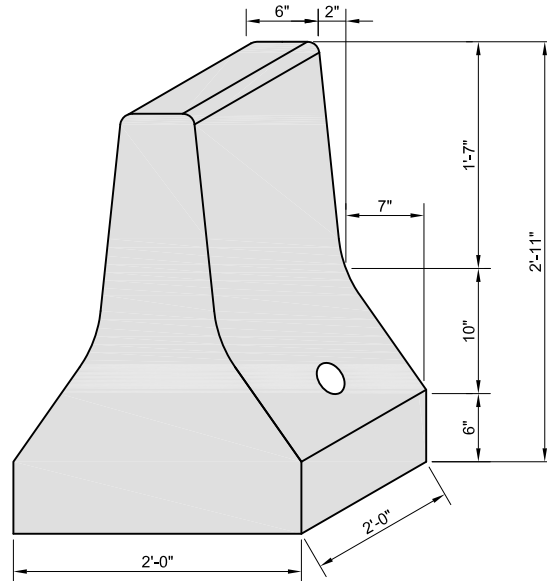
**NPCA**  
CERTIFIED PLANT



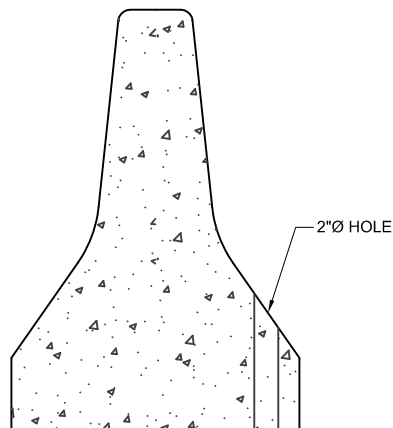
# DURASTONE

150 HIGGINSON AVENUE - LINCOLN, RI 02865 - Phone (401) 723-7100 - Fax (401) 723-6866

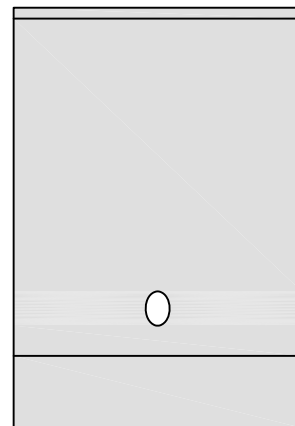
## 2ft Length Barrier



**ISOMETRIC**



**SECTION**



**ELEVATION**

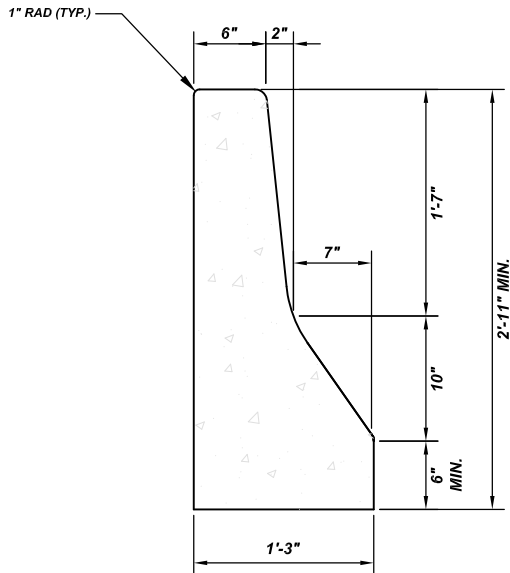
### STANDARD SPECIFICATIONS

1. 2'-0" STANDARD SEGMENT LENGTH.
2. 4,000 PSI PORTLAND CEMENT CONCRETE MIX.

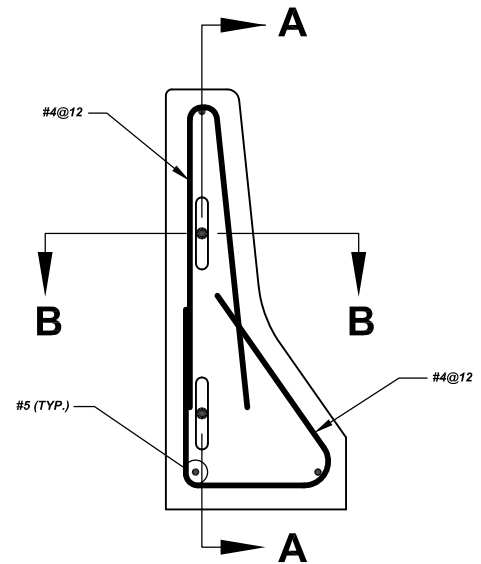
# DURASTONE

150 HIGGINSON AVENUE - LINCOLN, RI 02865 - Phone (401) 723-7100 - Fax (401) 723-6866

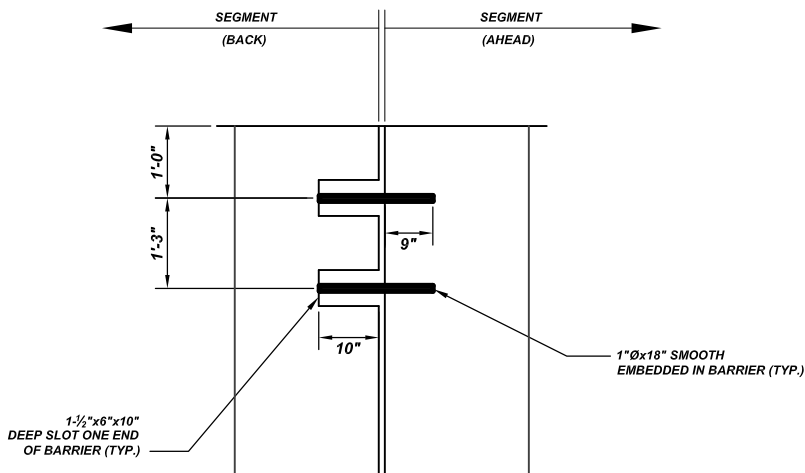
## SINGLE-FACED MEDIAN BARRIER



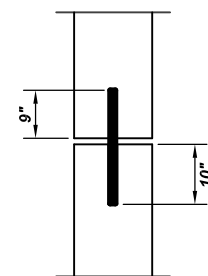
**GEOMETRY**



**REINFORCEMENT**



**SECTION A-A**



**SECTION B-B**

### STANDARD SPECIFICATIONS

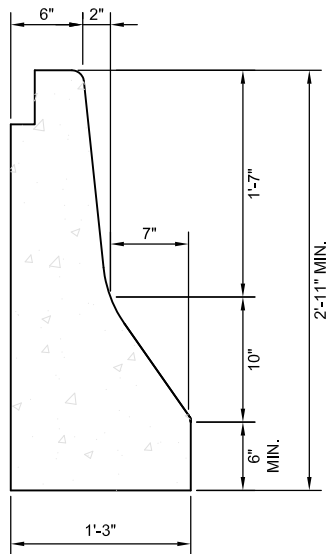
1. 10'-0" OR 20'-0" STANDARD SEGMENT LENGTHS
2. 2" MINIMUM COVER TO REINFORCEMENT
3. CONFORMS TO RI STANDARD 40.2.0



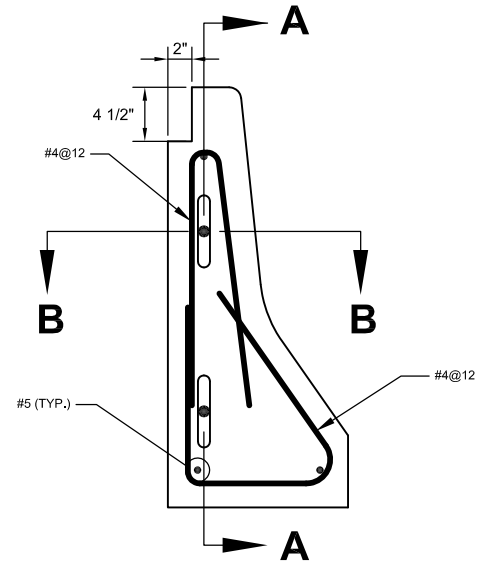
# DURASTONE

150 HIGGINSON AVENUE - LINCOLN, RI 02865 - Phone (401) 723-7100 - Fax (401) 723-6866

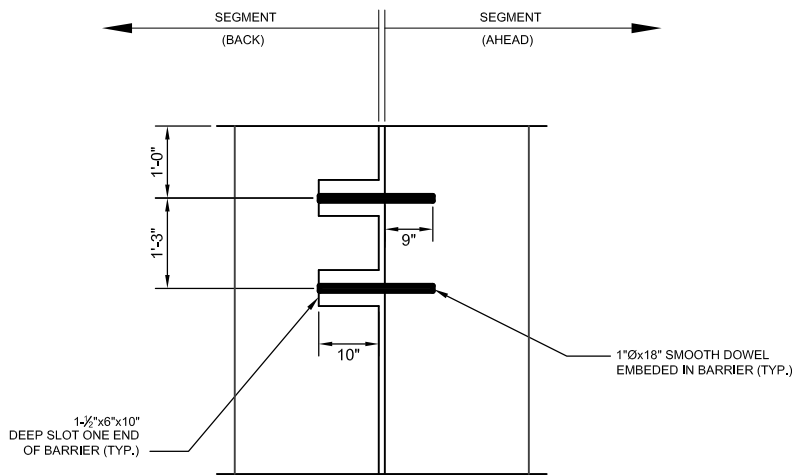
## SINGLE-FACED MEDIAN BARRIER



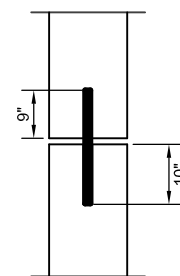
GEOMETRY



REINFORCEMENT



SECTION A-A



SECTION B-B

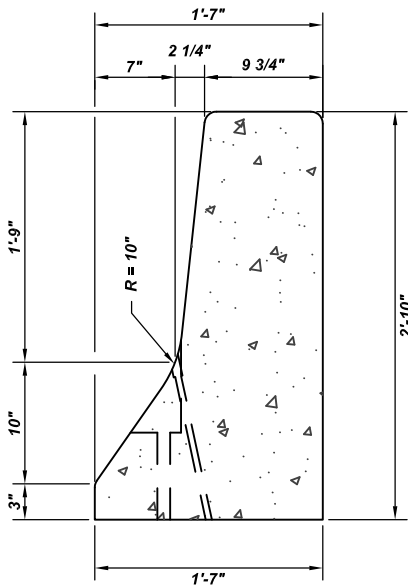
### STANDARD SPECIFICATIONS

1. 10'-0" OR 20'-0" STANDARD SEGMENT LENGTHS.
2. 4,000 PSI PORTLAND CEMENT CONCRETE MIX.
3. CONFORMS TO RI STANDARD 40.2.1.

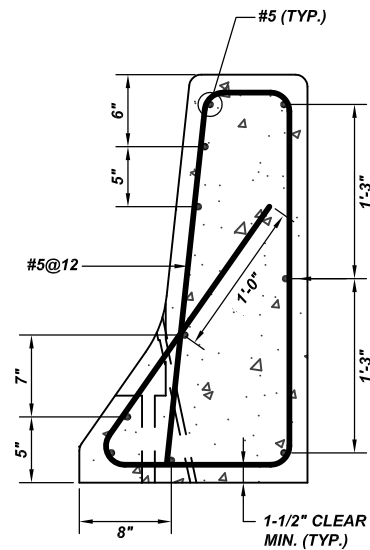
# DURASTONE

150 HIGGINSON AVENUE - LINCOLN, RI 02865 - Phone (401) 723-7100 - Fax (401) 723-6866

## TL-4 BARRIER



**GEOMETRY**



**REINFORCEMENT**

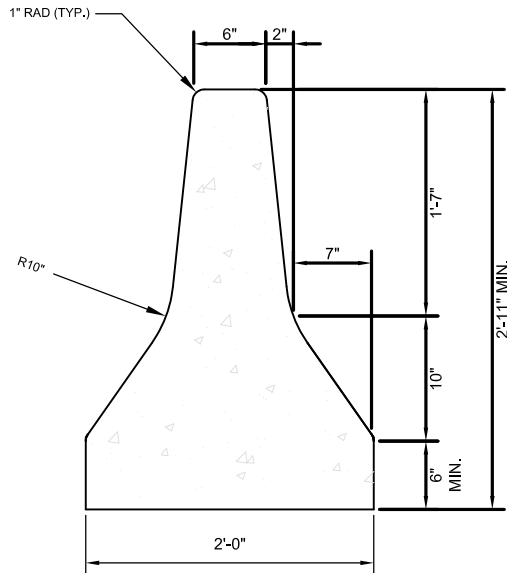
### STANDARD SPECIFICATIONS

1. SEGMENT LENGTHS UP TO 20'-0".
2. SMOOTH STEEL FORM FINISH ON EXPOSED SURFACES.
3. 1-1/2" MINIMUM COVER TO REINFORCEMENT.
4. ALL REINFORCEMENT EPOXY COATED.
5. 5,000 PSI CONCRETE MIX WITH CALCIUM NITRATE CORROSION INHIBITOR.
6. STANDARD 2' SPACING OF BOLT RECESSES.
7. STANDARD 4' SPACING OF GROUT PORTS.

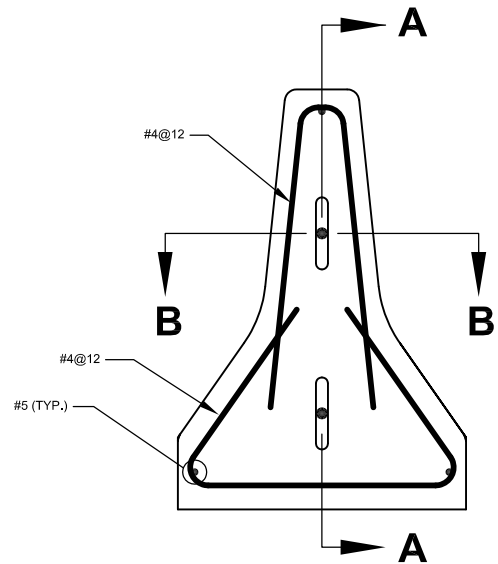
# DURASTONE

150 HIGGINSON AVENUE - LINCOLN, RI 02865 - Phone (401) 723-7100 - Fax (401) 723-6866

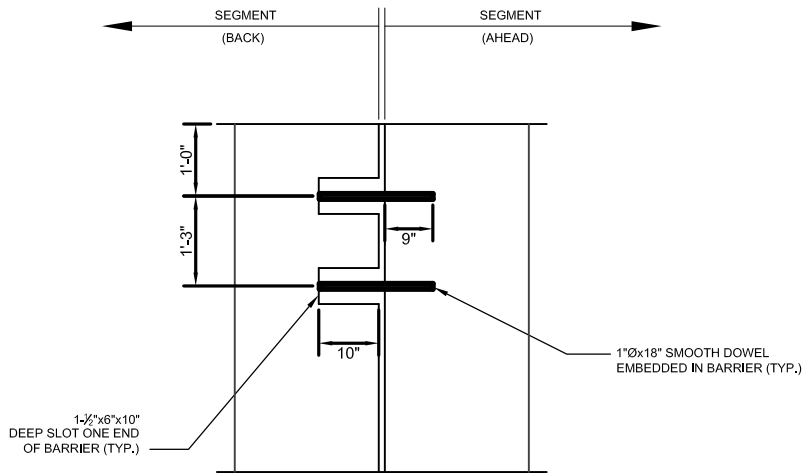
## DOUBLE-FACED MEDIAN BARRIER



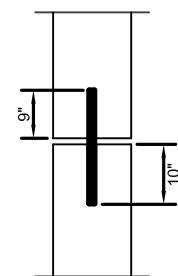
**GEOMETRY**



**REINFORCEMENT**



**SECTION A-A**



**SECTION B-B**

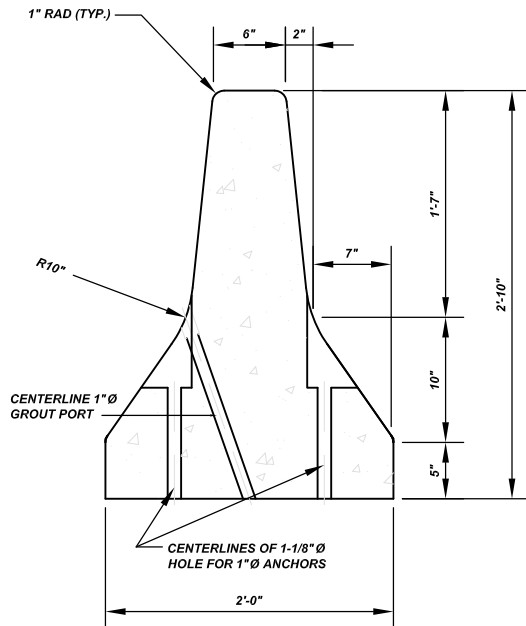
### STANDARD SPECIFICATIONS

1. 10'-0" OR 20'-0" STANDARD SEGMENT LENGTHS.
2. 4,000 PSI PORTLAND CEMENT CONCRETE MIX.
3. CONFORMS TO RI STANDARD 40.1.0.

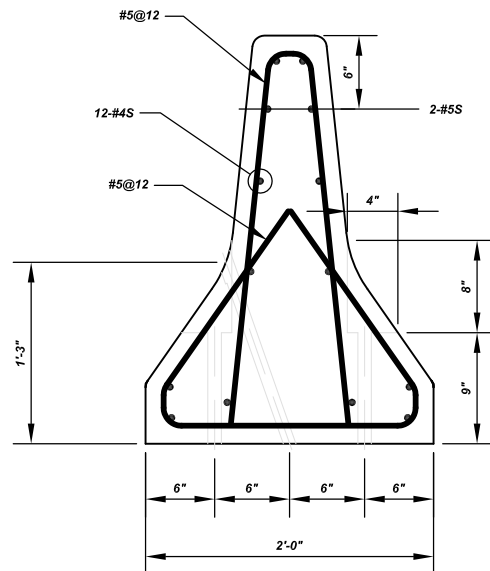
# DURASTONE

150 HIGGINSON AVENUE - LINCOLN, RI 02865 - Phone (401) 723-7100 - Fax (401) 723-6866

## F SHAPE BARRIER



**GEOMETRY**



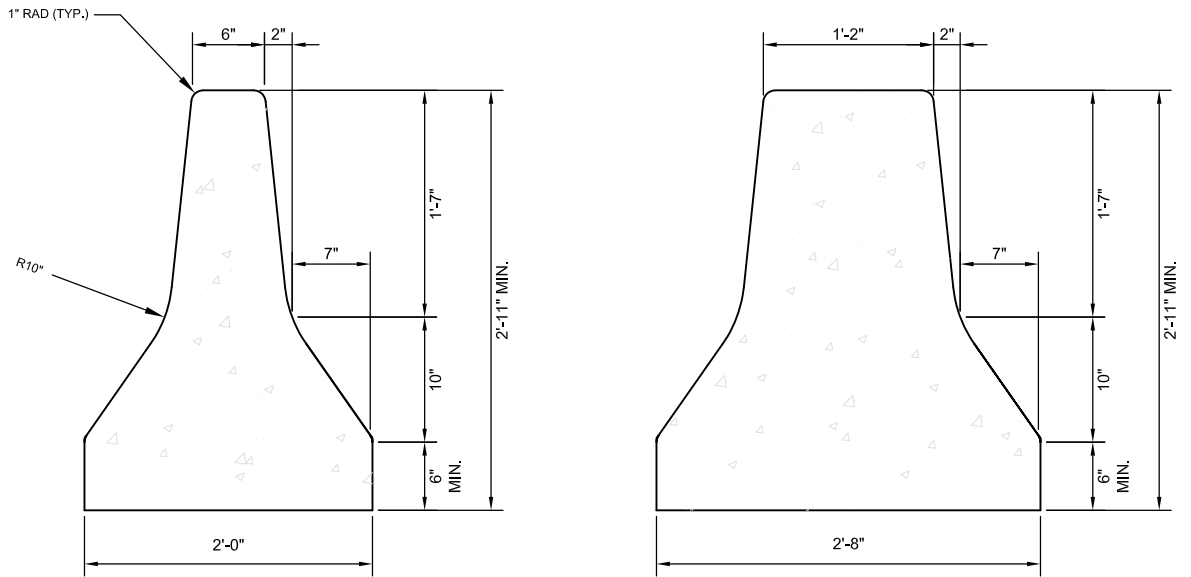
**REINFORCEMENT**

### STANDARD SPECIFICATIONS

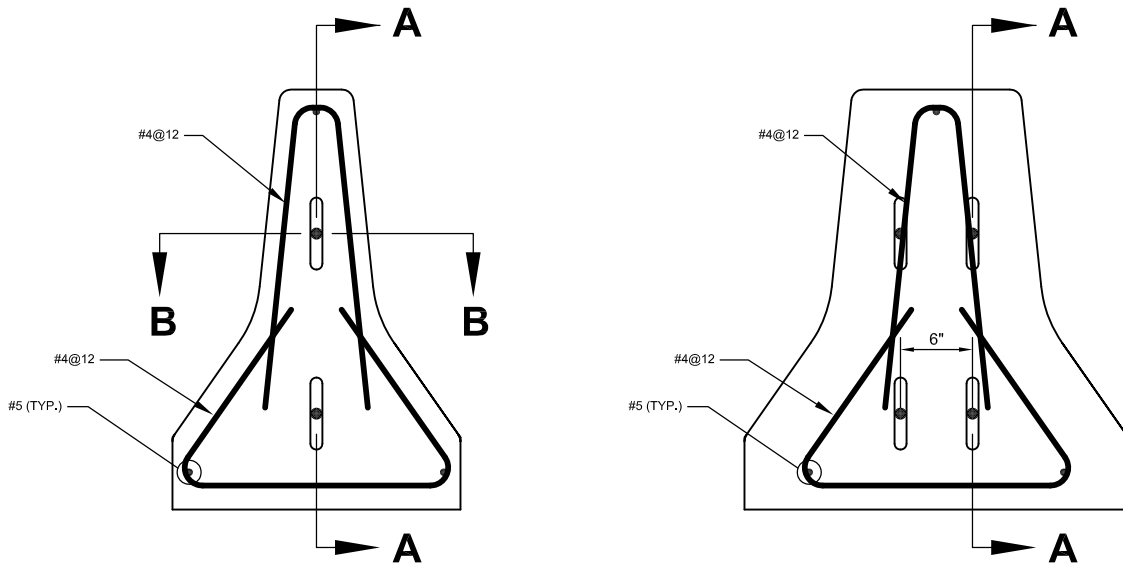
1. SEGMENT LENGTHS UP TO 20'-0".
2. SMOOTH STEEL FORM FINISH ON EXPOSED SURFACES.
3. 1-1/2" MINIMUM COVER TO REINFORCEMENT.
4. ALL REINFORCEMENT EPOXY COATED.
5. 5,000 PSI CONCRETE MIX WITH CALCIUM NITRATE CORROSION INHIBITOR.
6. BOLTED DOWN APPLICATION ONLY.

# DURASTONE

## MEDIAN BARRIER TRANSITION UNIT



### GEOMETRY



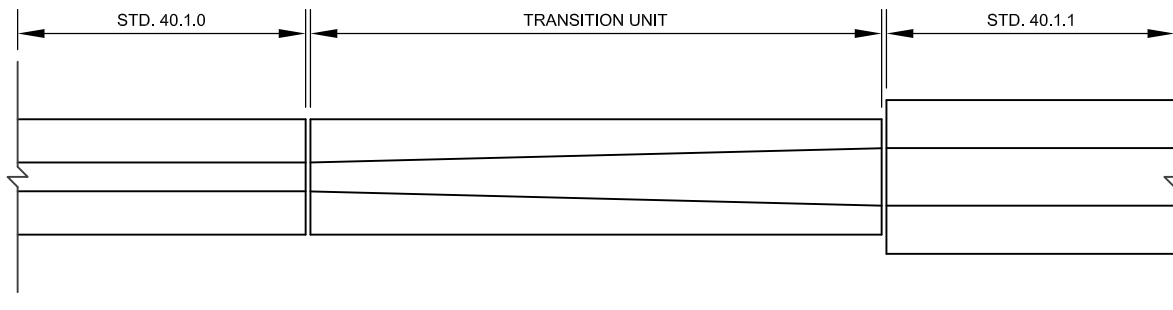
### REINFORCEMENT

150 HIGGINSON AVENUE - LINCOLN, RI 02865 - Phone (401) 723-7100 - Fax (401) 723-6866

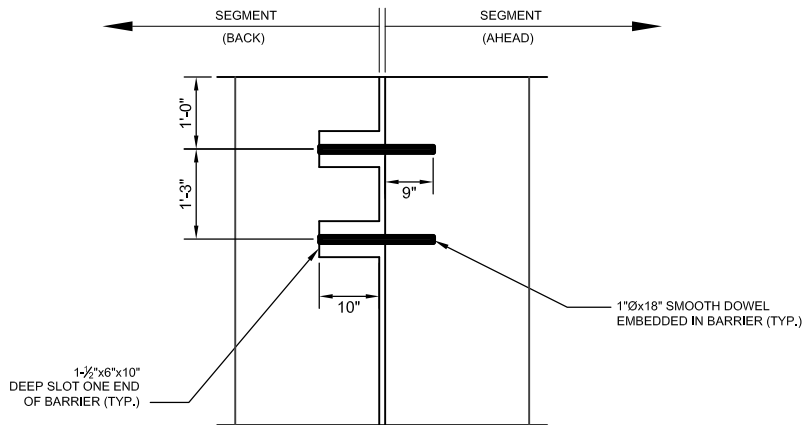
# DURASTONE

150 HIGGINSON AVENUE - LINCOLN, RI 02865 - Phone (401) 723-7100 - Fax (401) 723-6866

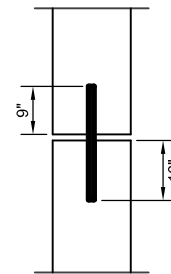
## MEDIAN BARRIER TRANSITION UNIT



**PLAN**



**SECTION A-A**



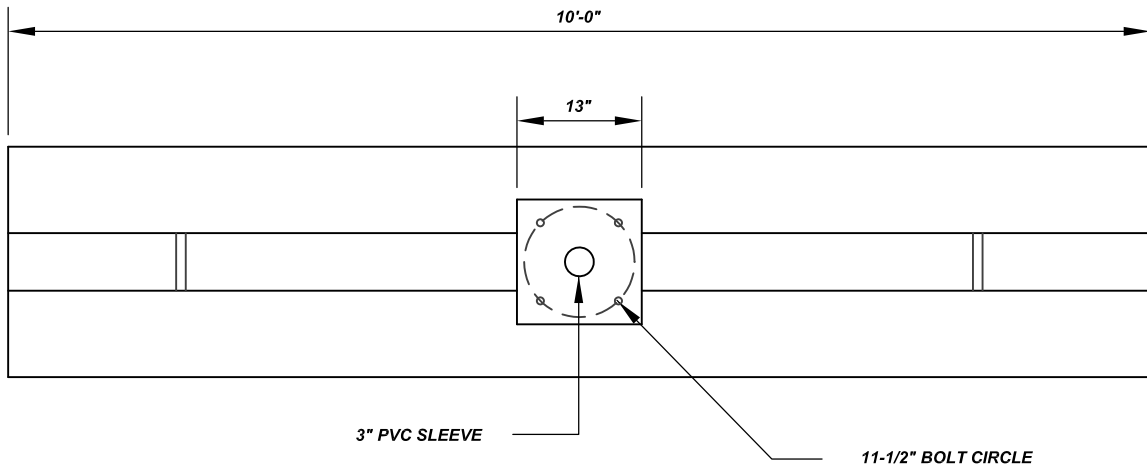
**SECTION B-B**

### STANDARD SPECIFICATIONS

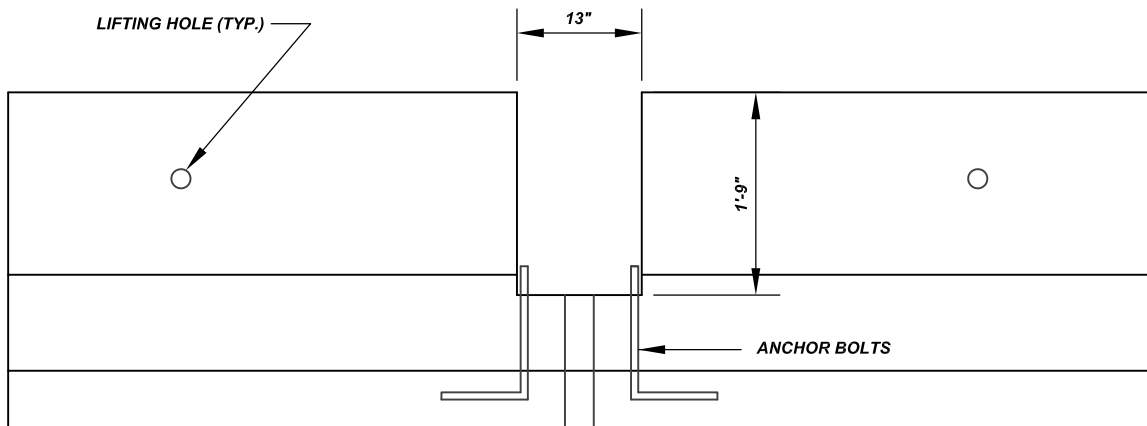
1. 10'-0" STANDARD SEGMENT LENGTH.
2. 4,000 PSI PORTLAND CEMENT CONCRETE MIX.
3. CONFORMS TO RI STANDARD 40.3.0.

# DURASTONE

## MEDIAN BARRIER FOR LIGHT STANDARD



PLAN



ELEVATION

