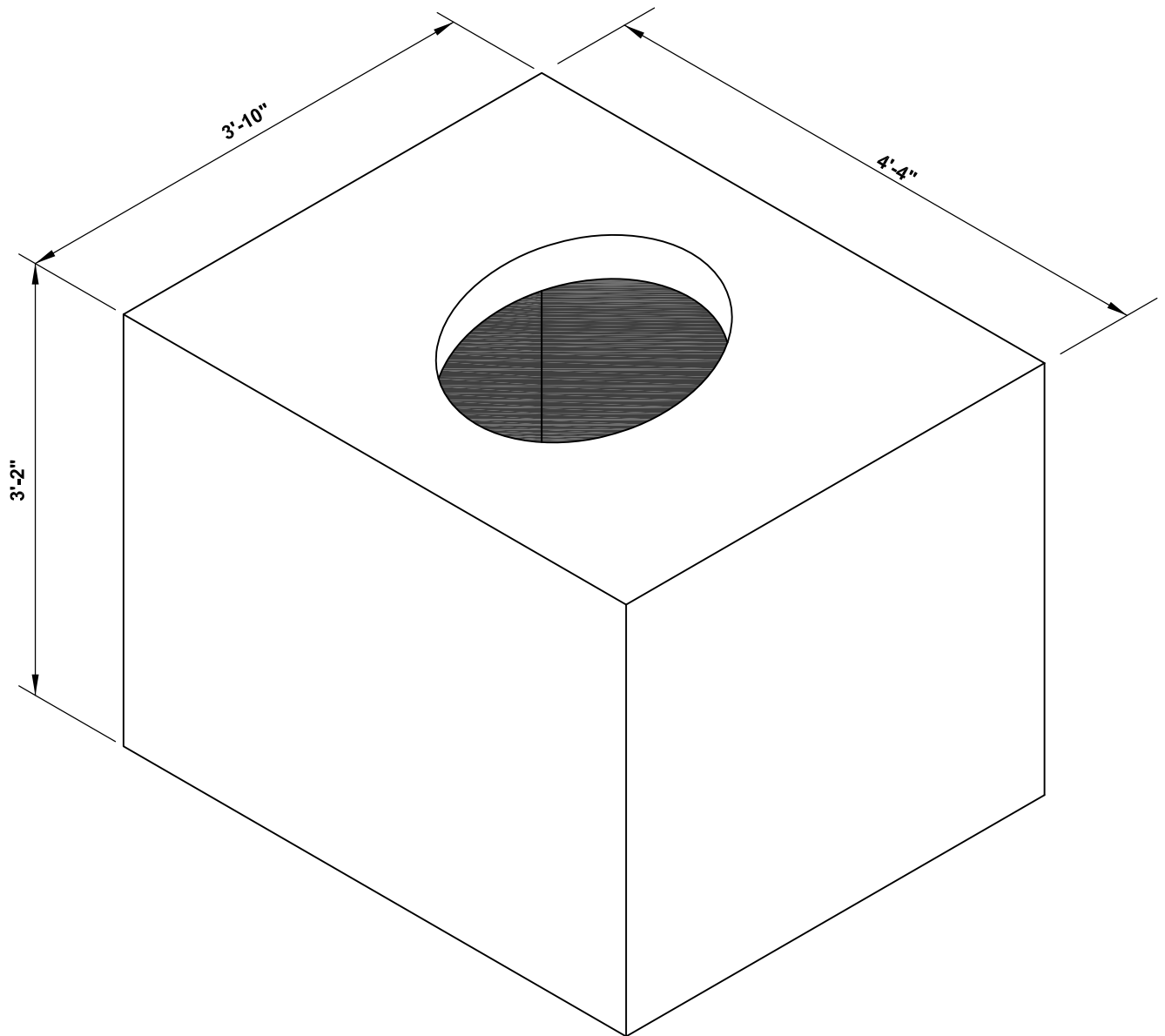


# DURASTONE

## ***UTILITY HANDHOLE "A"***



**APPROX. WEIGHT: 5,100 LB**

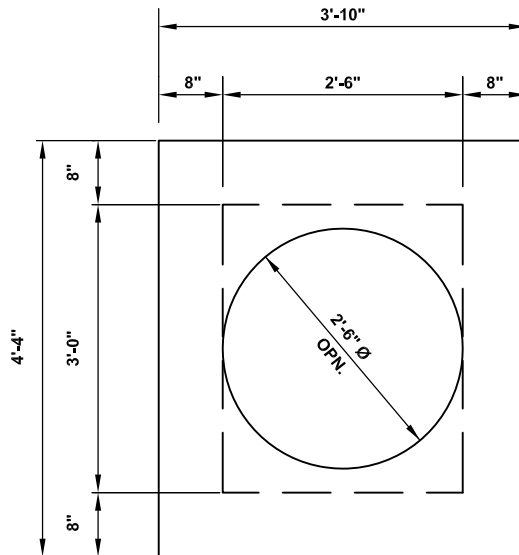
150 HIGGINSON AVENUE - LINCOLN, RI 02865 - Phone (401) 723-7100 - Fax (401) 723-6866

**NPCA**  
CERTIFIED PLANT

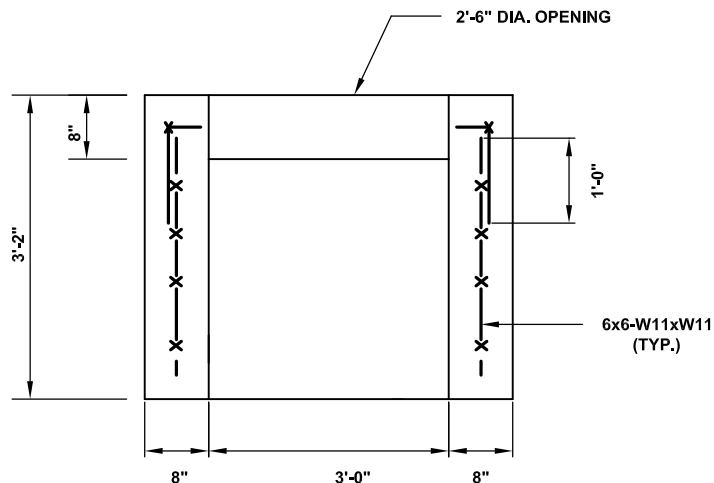
# DURASTONE

150 HIGGINSON AVENUE - LINCOLN, RI 02865 - Phone (401) 723-7100 - Fax (401) 723-6866

## UTILITY HANDHOLE "A"



PLAN



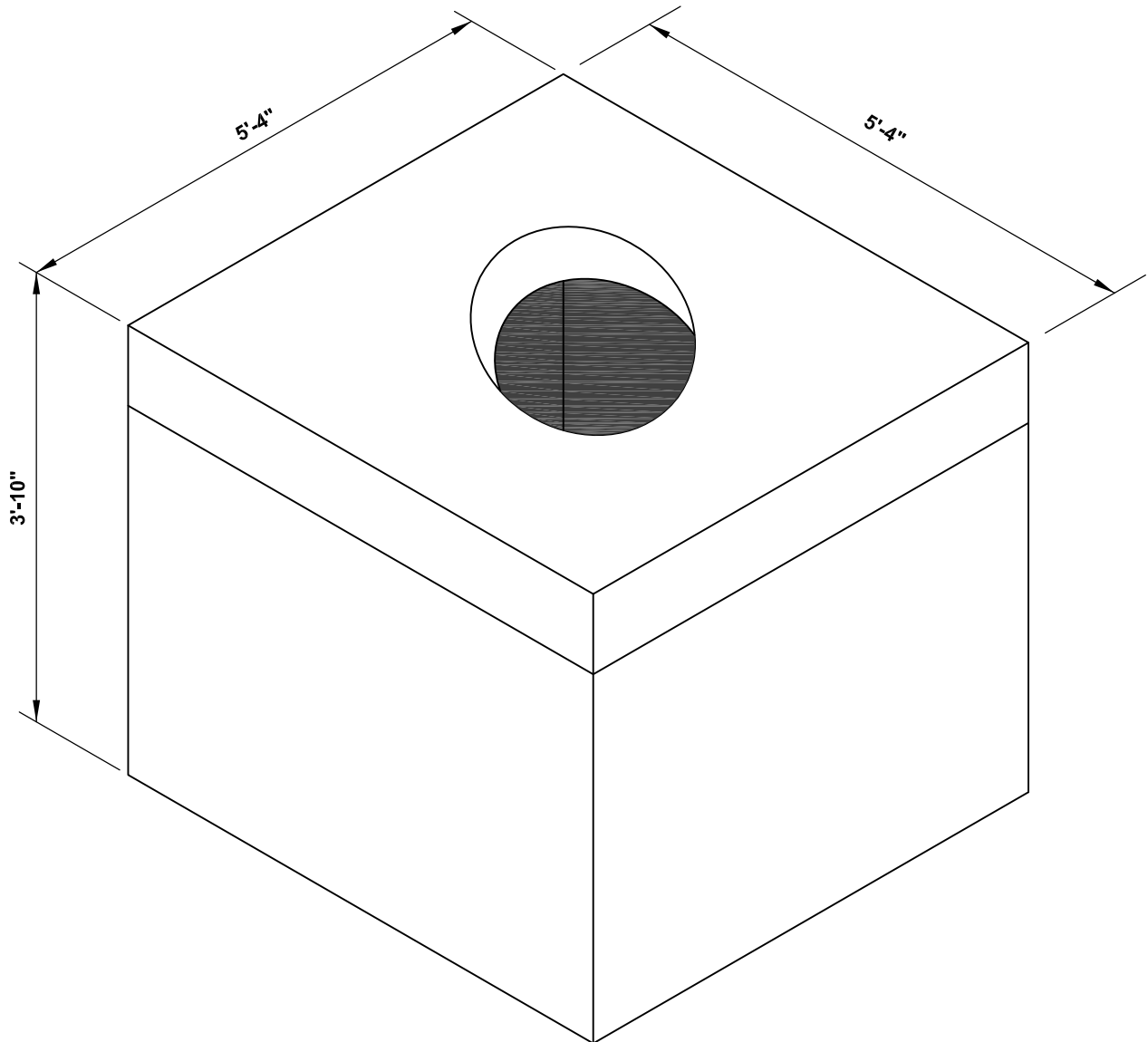
SECTION

### STANDARD SPECIFICATIONS

- MINIMUM CONCRETE COMPRESSIVE STRENGTH:  $F'_c = 5,000$  PSI
- REINFORCEMENT: ASTM A615 GRADE 60, MINIMUM 1" COVER
- DESIGN & DETAILING CODE: ACI318 (UNLESS OTHERWISE SPECIFIED)
- AASHTO HS20 LIVE LOAD
- OPENINGS: NUMBER, LOCATION & SIZE OF CONDUITS AS REQUIRED.

# DURASTONE

## ***UTILITY HANDHOLE "B"***



**APPROX. WEIGHT:**

**TOP: 1,700 LB**

**BASE: 7,500 LB**

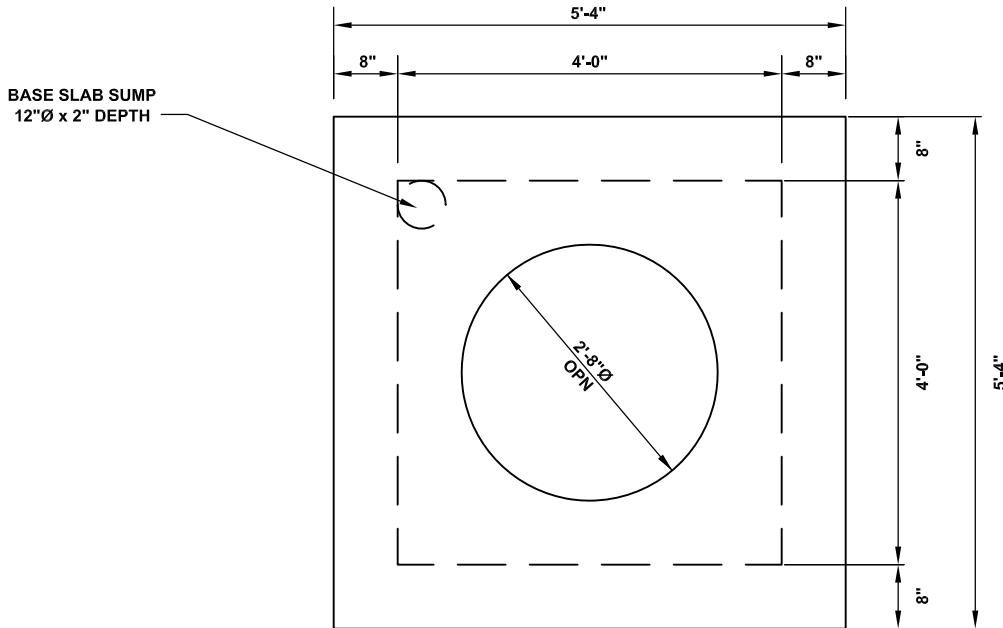
150 HIGGINSON AVENUE - LINCOLN, RI 02865 - Phone (401) 723-7100 - Fax (401) 723-6866

**NPCA**  
CERTIFIED PLANT

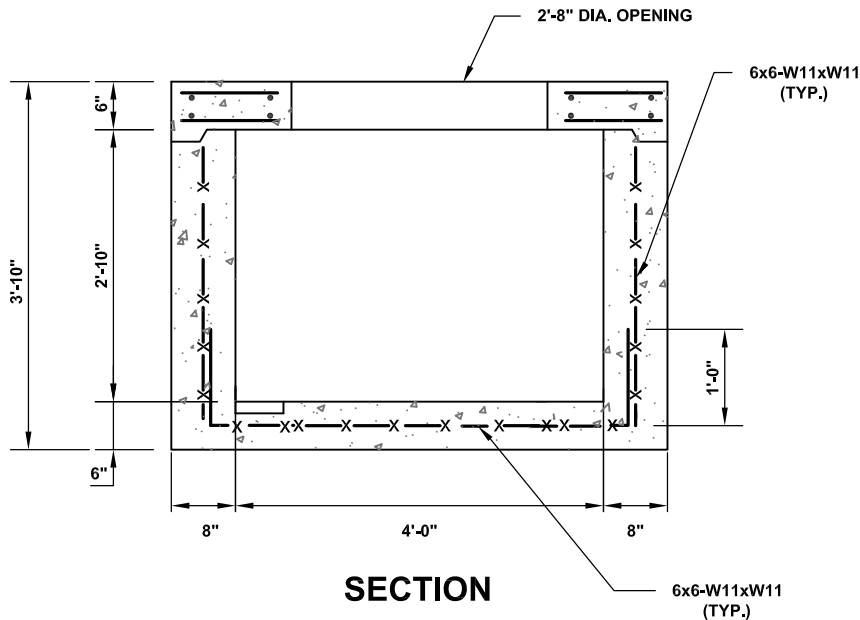
# DURASTONE

150 HIGGINSON AVENUE - LINCOLN, RI 02865 - Phone (401) 723-7100 - Fax (401) 723-6866

## UTILITY HANDHOLE "B"



PLAN



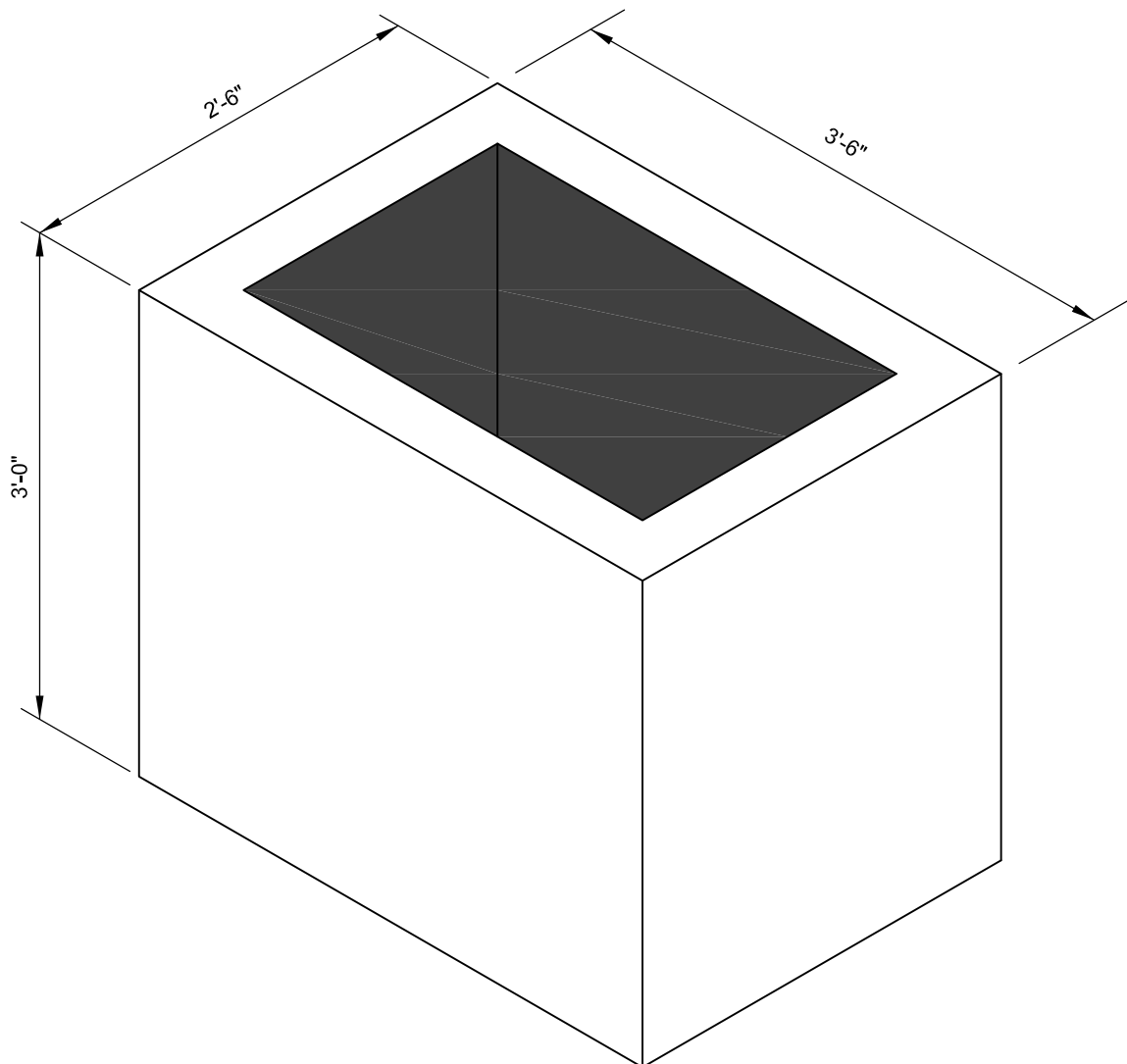
SECTION

### STANDARD SPECIFICATIONS

- MINIMUM CONCRETE COMPRESSIVE STRENGTH:  $F'_c = 5,000$  PSI
- REINFORCEMENT: ASTM A615 GRADE 60, MINIMUM 1" COVER
- DESIGN & DETAILING CODE: ACI318 (UNLESS OTHERWISE SPECIFIED)
- AASHTO HS20 LIVE LOAD
- OPENINGS: NUMBER, LOCATION & SIZE AS REQUIRED.

# DURASTONE

## ***UTILITY HANDHOLE "C"***



APPROX. WEIGHT: 1,600 LB

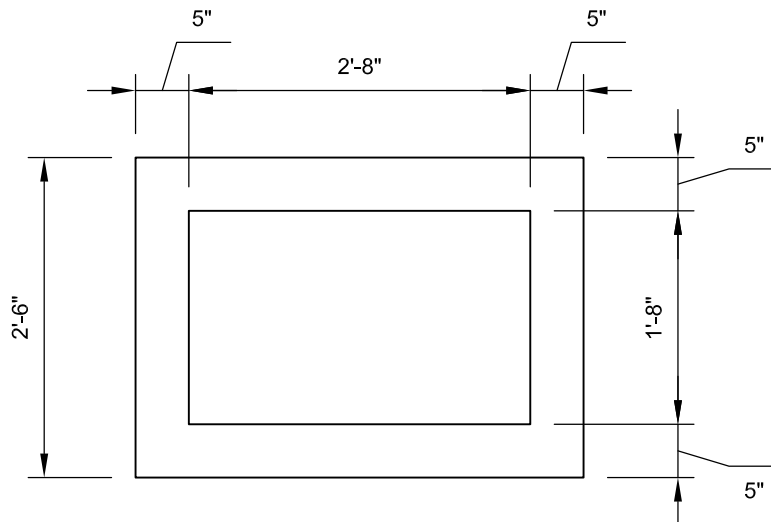
150 HIGGINSON AVENUE - LINCOLN, RI 02865 - Phone (401) 723-7100 - Fax (401) 723-6866

**NPCA**  
CERTIFIED PLANT

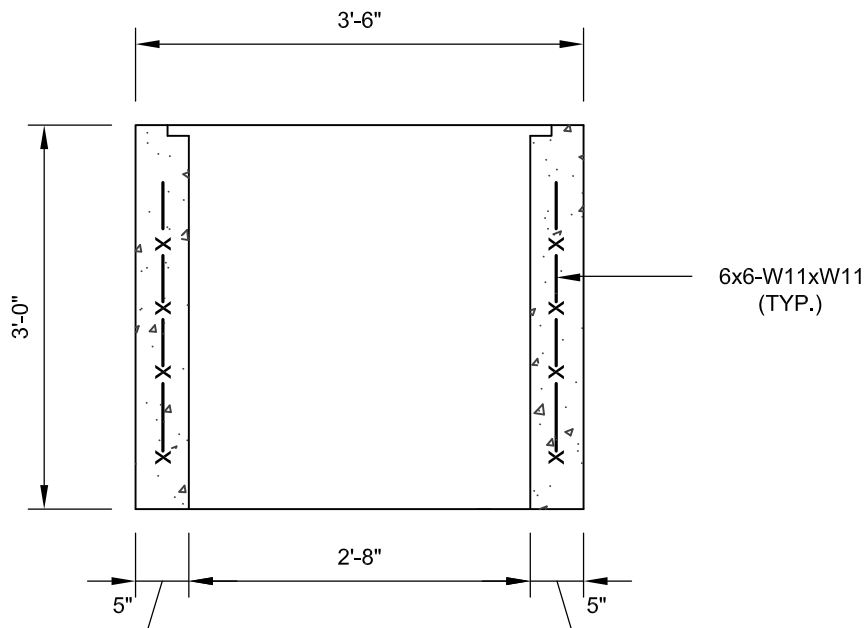
# DURASTONE

150 HIGGINSON AVENUE - LINCOLN, RI 02865 - Phone (401) 723-7100 - Fax (401) 723-6866

## UTILITY HANDHOLE "C"



PLAN



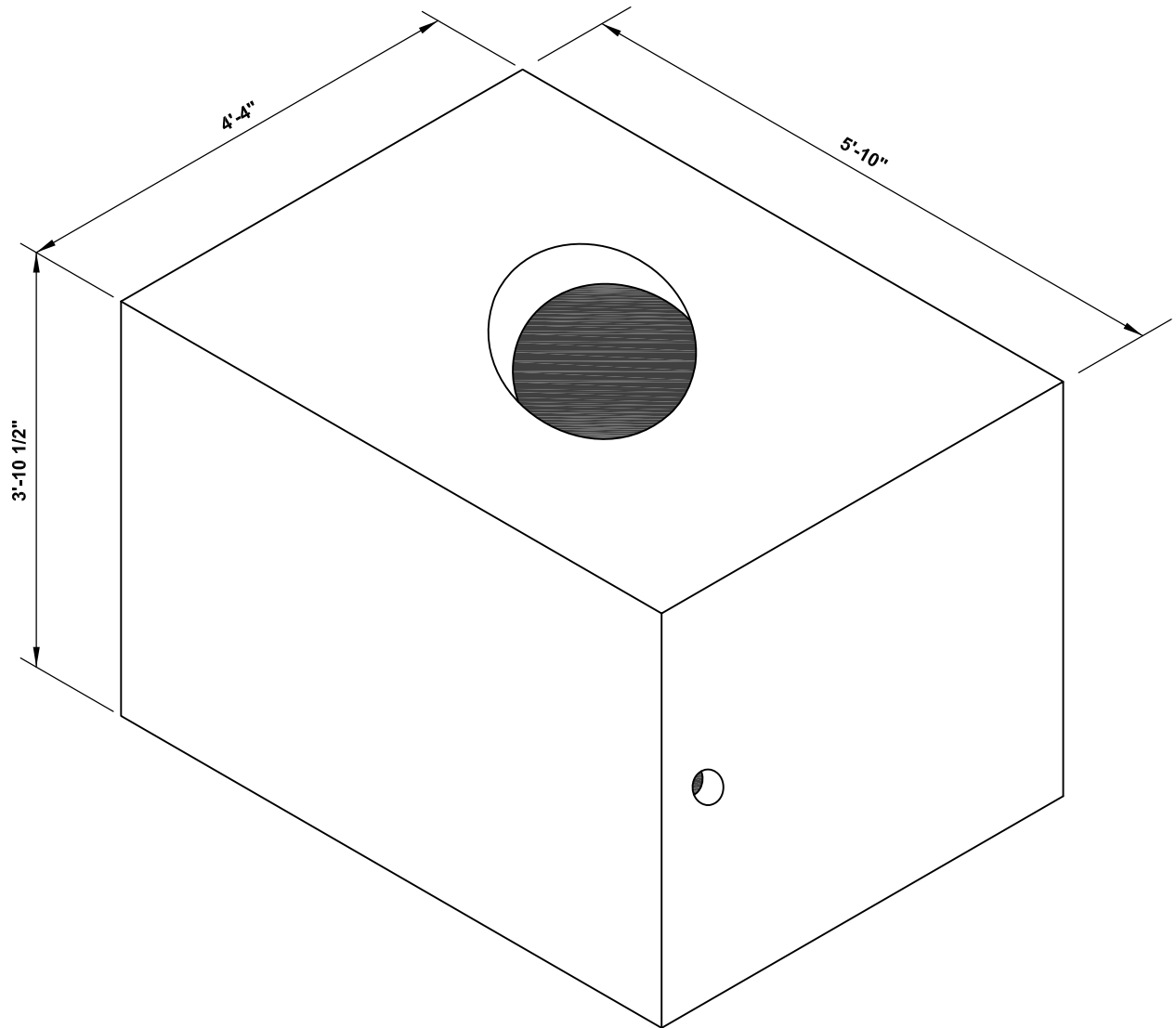
SECTION

### STANDARD SPECIFICATIONS

- MINIMUM CONCRETE COMPRESSIVE STRENGTH:  $F'_c = 5,000$  PSI
- REINFORCEMENT: ASTM A615 GRADE 60, MINIMUM 1" COVER
- DESIGN & DETAILING CODE: ACI318 (UNLESS OTHERWISE SPECIFIED)
- AASHTO HS20 LIVE LOAD
- OPENINGS: NUMBER, LOCATION & SIZE OF CONDUITS AS REQUIRED.

# DURASTONE

## HEAVY DUTY TYPE "H" HANDHOLE



**APPROX. WEIGHT: 10,200 LB**

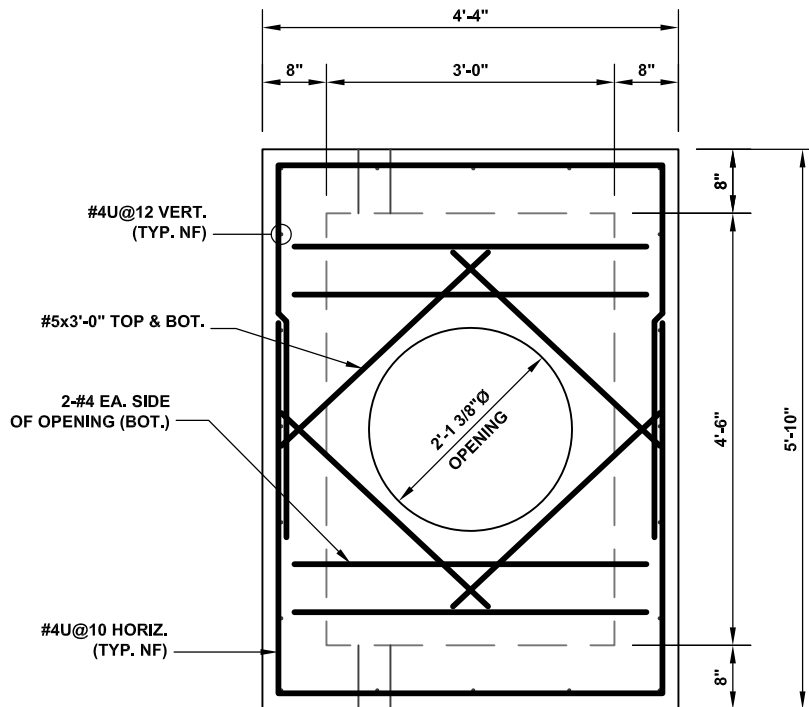
150 HIGGINSON AVENUE - LINCOLN, RI 02865 - Phone (401) 723-7100 - Fax (401) 723-6866

**NPCA**  
CERTIFIED PLANT

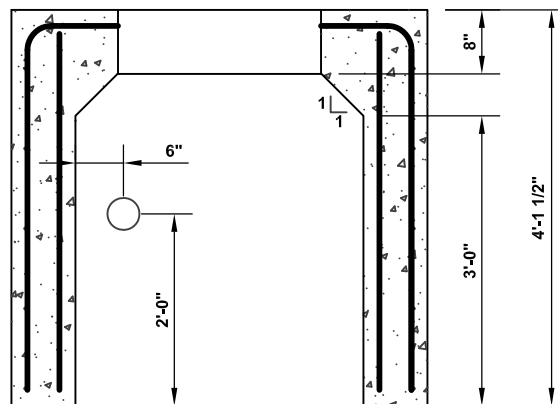
# DURASTONE

150 HIGGINSON AVENUE - LINCOLN, RI 02865 - Phone (401) 723-7100 - Fax (401) 723-6866

## HEAVY DUTY TYPE "H" HANDHOLE



PLAN



SECTION

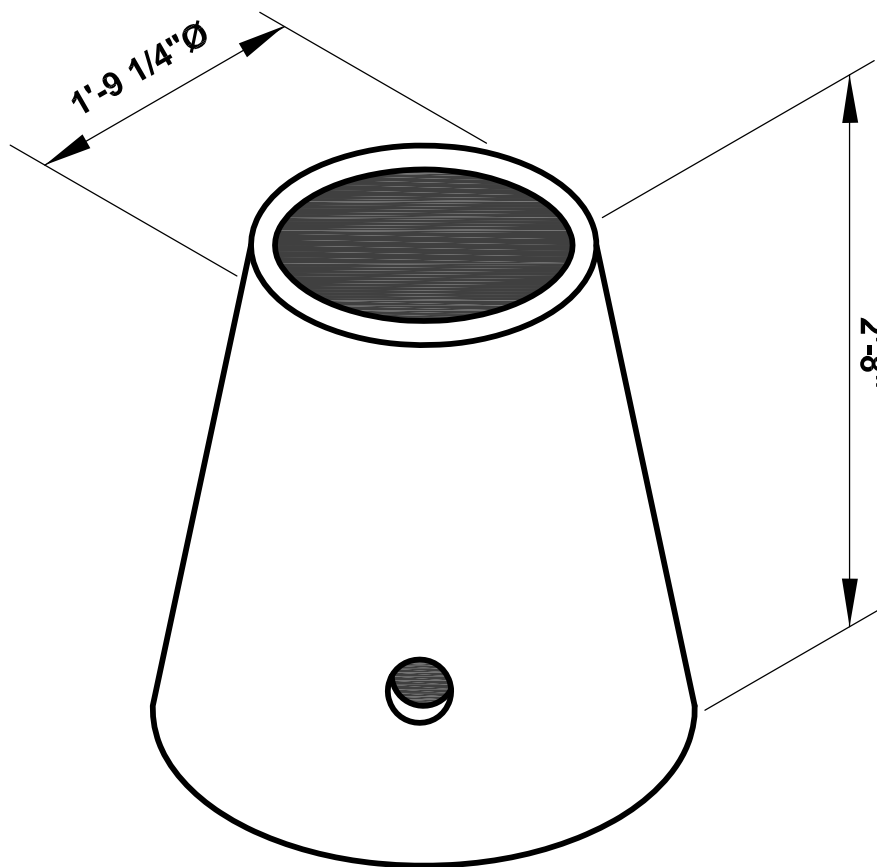
### STANDARD SPECIFICATIONS

1. MINIMUM CONCRETE COMPRESSIVE STRENGTH:  $f'_c = 5,000$  PSI
2. REINFORCEMENT: ASTM A615 GRADE 60, MINIMUM 1" COVER
3. DESIGN & DETAILING CODE: ACI318 (UNLESS OTHERWISE SPECIFIED)
4. AASHTO HS20 LIVE LOAD
5. CONFORMS TO RHODE ISLAND STANDARD 18.2.2
6. OPENINGS: NUMBER, LOCATION & SIZE AS REQUIRED.



# DURASTONE

## TYPE "A" HANDHOLE



**APPROX. WEIGHT: 450 LB**

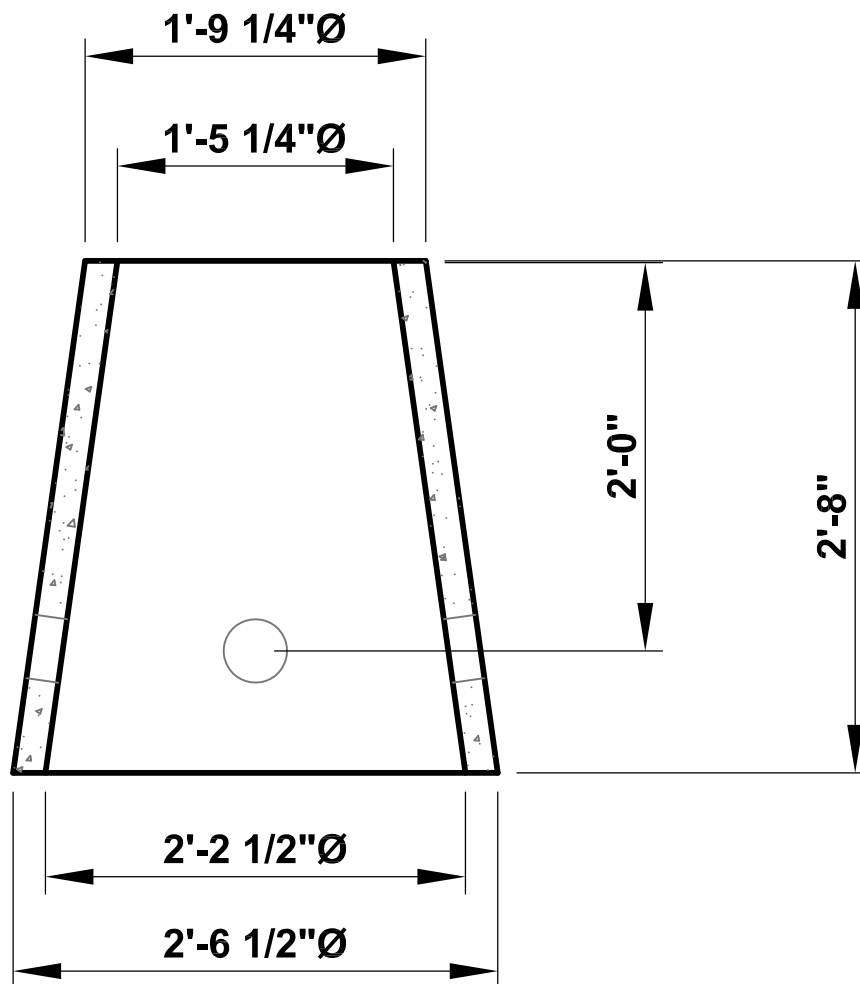
150 HIGGINSON AVENUE - LINCOLN, RI 02865 - Phone (401) 723-7100 - Fax (401) 723-6866

**NPCA**  
CERTIFIED PLANT

# DURASTONE

150 HIGGINSON AVENUE - LINCOLN, RI 02865 - Phone (401) 723-7100 - Fax (401) 723-6866

## TYPE "A" HANDHOLE



### SECTION

#### STANDARD SPECIFICATIONS

1. MINIMUM CONCRETE COMPRESSIVE STRENGTH:  $f_c = 4,000$  PSI.
2. DESIGN & DETAILING CODE: ACI318 (UNLESS OTHERWISE SPECIFIED).
3. MINIMUM REINFORCEMENT 0.058 SQ. IN./LF.
4. CONFORMS TO RHODE ISLAND STANDARD 18.2.0.
5. OPENINGS: 4 - 4" KNOCKOUTS.